

Installation instructions for PZ4AL-02212-00

Lexus GS 350 AWD, Lexus GS 350 AWD F-sport

Under Run Protective Shield transmission case



Model Year: 2012-

Vehicle Code: GRL15L-BETQHW

Part Number: Aluminium: PZ4AL-02212-00

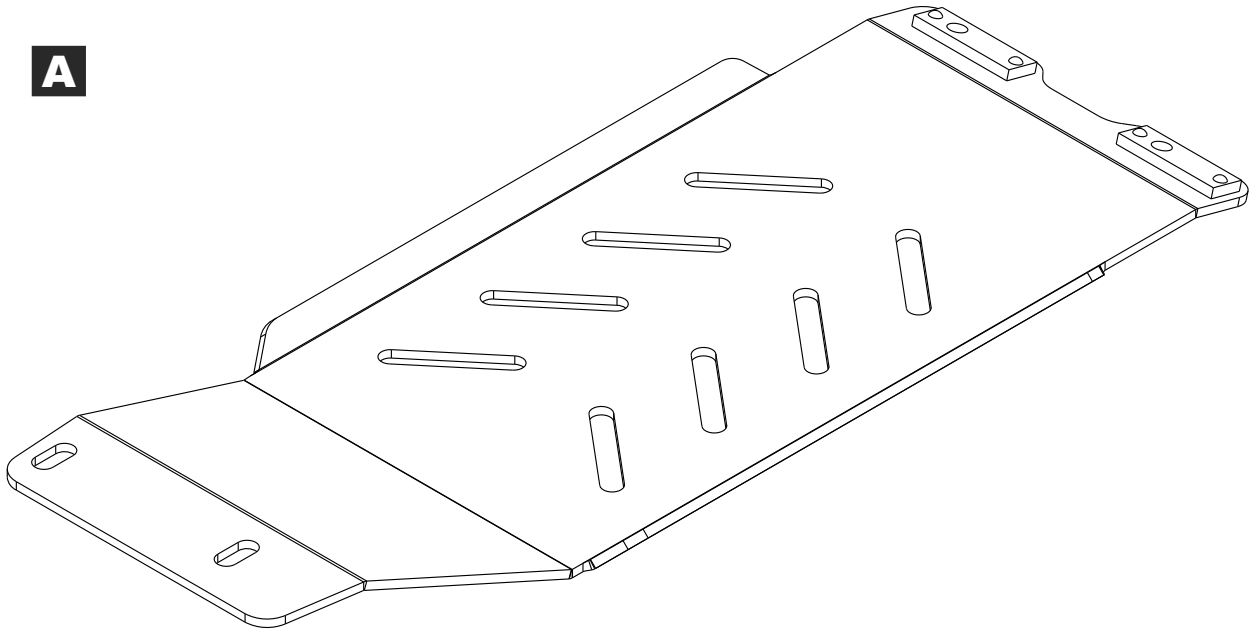


Weight: Aluminium: 2,31 kg



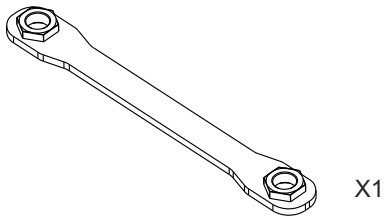
Installation Time: 15 min

A

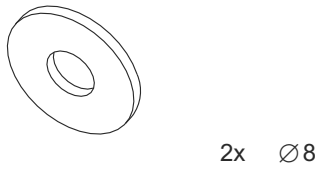


PZ4AL-02212-60

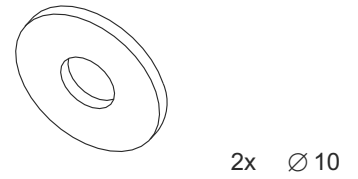
B



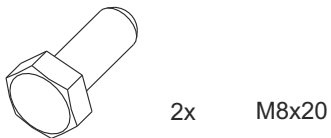
C1



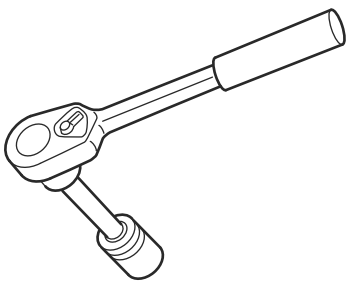
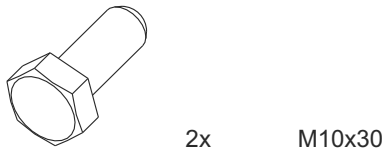
C2

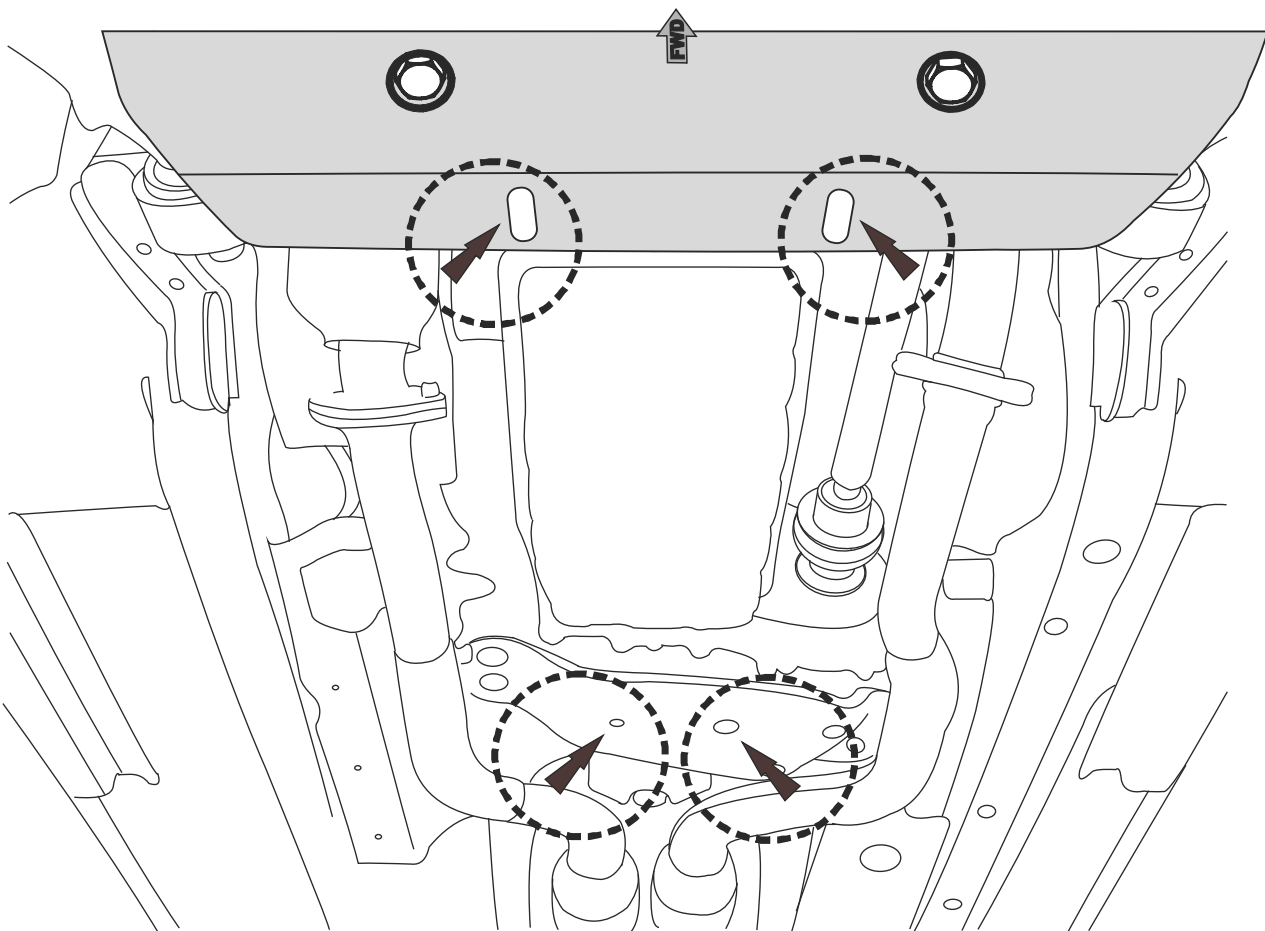
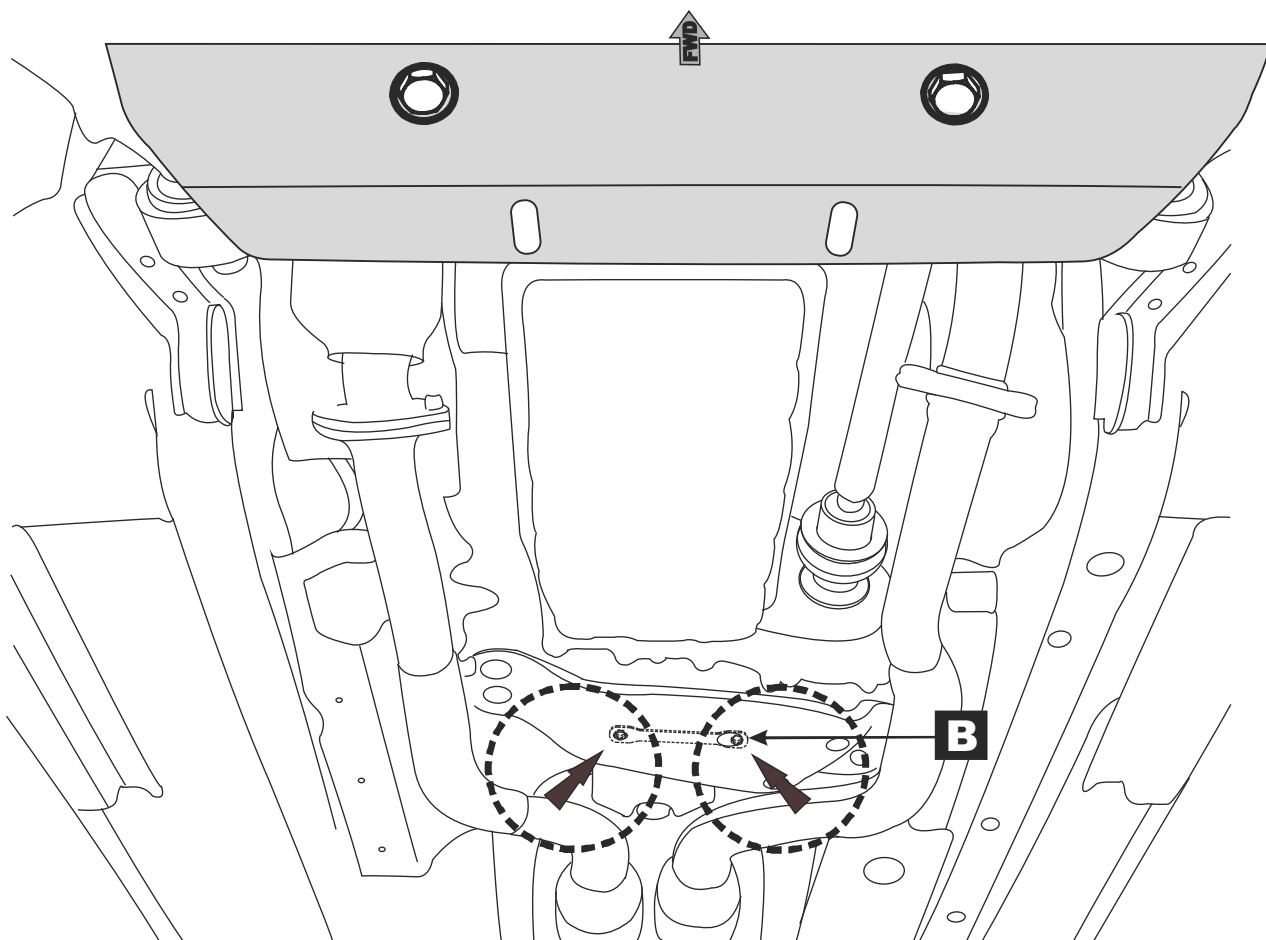


D1

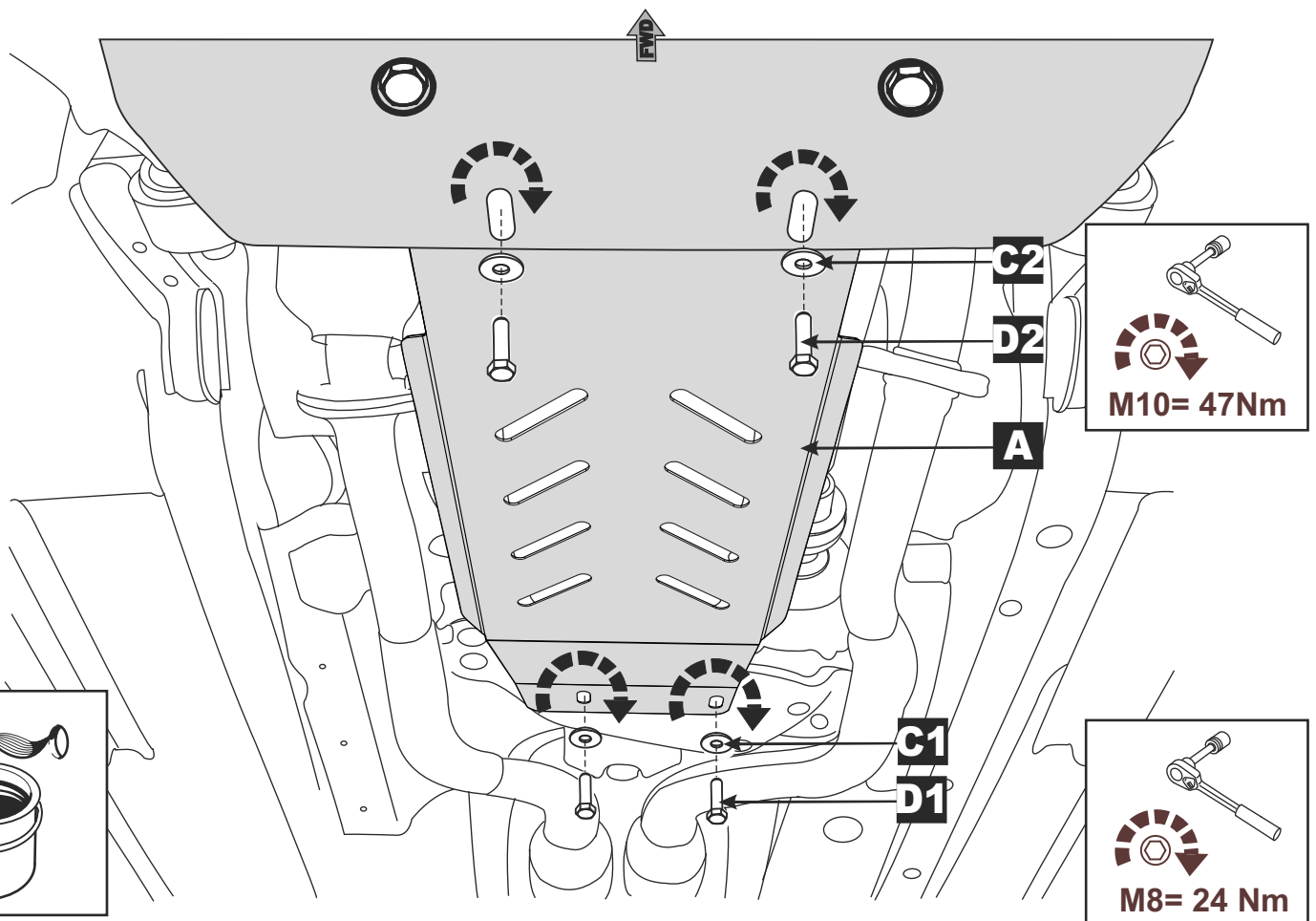


D2



1**2**

3



4

